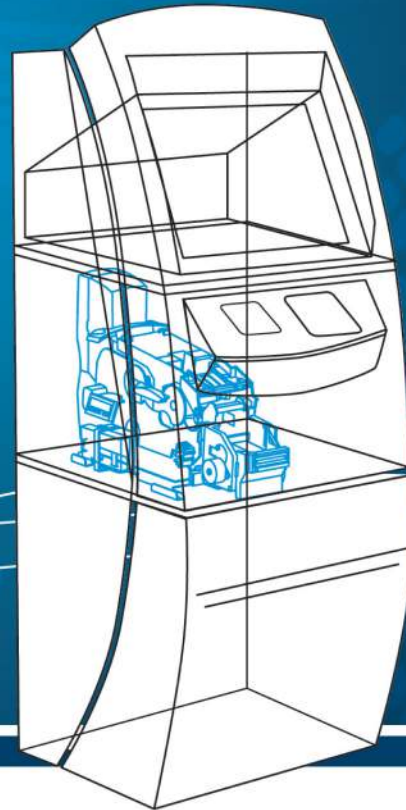
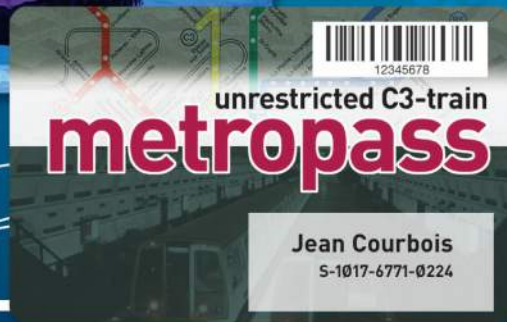


# DATACARD® SP55K KIOSK CARD PRINTER



*The SP55k kiosk card printer provides the exceptional reliability and high-quality card printing kiosk integrators demand, plus the ability to integrate smoothly with your most innovative kiosk solutions.*

## **Reliable, high-quality card printing**

Developed exclusively for integration into kiosks, the Datacard® SP55k kiosk card printer delivers proven reliability, easy operation and three flexible configurations that complement a wide variety of on-site, self-service kiosks. The SP55k kiosk card printer not only impresses your customers with high-quality, full-color card printing for virtually any market application — it also helps sell your solution with its low maintenance requirements and exceptional ease of use.

## **Easy to integrate with your kiosk**

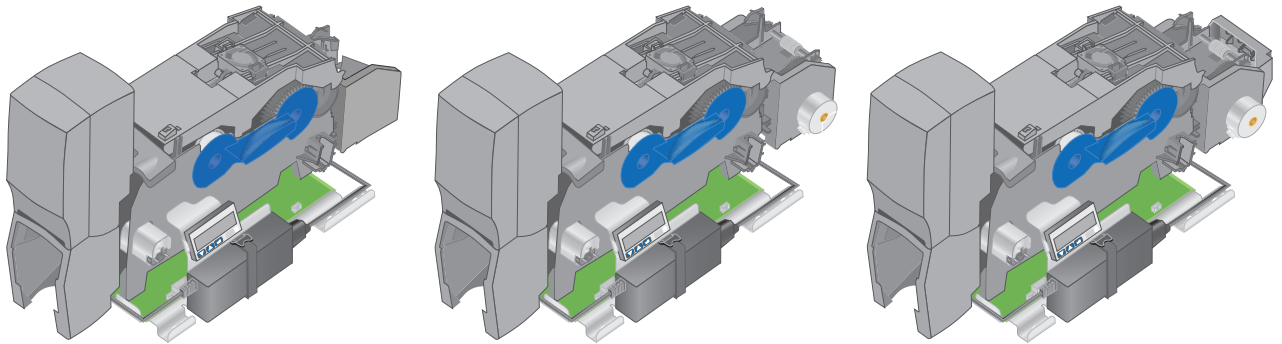
- Take advantage of flexible parameters and a coverless design that can easily adapt to multiple kiosks.
- Choose this cost-effective printer to meet market demands for affordable kiosks distributed across many locations.
- Leverage the expertise and experience of Datacard Group, proven specialists in high-quality card printing.
- Minimize service requirements with a robust printer tailored for kiosk card issuance.
- Launch new kiosk concepts more quickly to maximize cost-efficiency and penetrate new markets.

**IDMANAGEMENT**  
www.idmanagement.com SYSTEMS

ID Management Systems  
Temple Court, Cathedral Road  
Cardiff  
CF11 9HA  
United Kingdom  
Tel : +44 (0) 2920 786 419  
Fax : 08707413001  
E-mail : sales@idmanagement.com  
Web : www.idmanagement.com

**Datacard**Group

## CHOOSE THE RIGHT DESIGN FOR YOUR KIOSK



### **SIMPLEX CARD ISSUANCE**

Features hopper end input and output for one-sided, full-color card printing.

### **DUPLEX CARD ISSUANCE**

Provides hopper end input and output and two-sided, full-color card printing.

### **DUPLEX ATM-STYLE CARD ISSUANCE**

Offers two-sided, full-color card printing for kiosks that require hopper end input and duplex-side output.

All three configurations feature a separate card reject area to help increase security and maintain quality control.

## FLEXIBLE DESIGN FOR SMOOTH INTEGRATION

Like other industry-leading card printers in the Datacard® product portfolio, the SP55k kiosk card printer features best-in-class components, making it a logical choice for kiosk integrators to incorporate in a wide variety of innovative kiosk designs.

Even more important, the SP55k kiosk card printer delivers the same outstanding reliability and easy servicing as other Datacard® card printers. As a result, kiosk integrators can expect smooth operation and very low maintenance requirements.

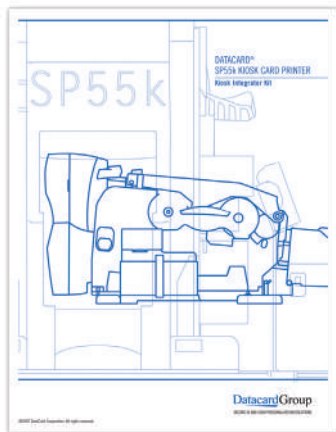
- Retail: Gift, membership, loyalty, stored value, photo and affinity cards
- Corporate: Temporary employee IDs, visitor ID cards
- Hospitality/Casino: Loyalty and player cards
- Government/Municipal: Pre-paid parking, library and public assistance cards
- Transportation: Pre-paid mass transit cards and airline boarding passes
- Healthcare: Patient information and visitor ID cards
- Education: Student ID cards, multipurpose stored value cards
- Financial: Bank/ATM cards, check and debit cards



The Datacard® SP55k kiosk card printer issues personalized cards with magnetic stripes and bar codes, as well as contact and contactless smart cards for many applications.

## VERSATILE CONFIGURATIONS FOR YOUR KIOSK

CONFIGURATION	SIMPLEX CARD ISSUANCE	DUPLEX CARD ISSUANCE	DUPLEX ATM-STYLE CARD ISSUANCE
<b>Card input capacity</b>	<ul style="list-style-type: none"> <li>• 100-card hopper</li> <li>• 200-card hopper</li> </ul>	<ul style="list-style-type: none"> <li>• 100-card hopper</li> <li>• 200-card hopper</li> </ul>	<ul style="list-style-type: none"> <li>• 100-card hopper</li> <li>• 200-card hopper</li> </ul>
<b>Card output locations</b>	<p><b>Hopper end</b></p> <ul style="list-style-type: none"> <li>• 40-card tray</li> <li>• Output slide</li> </ul> <p><b>Duplex end</b> (Cards eject through duplex-end housing)</p>	<p><b>Hopper end</b></p> <ul style="list-style-type: none"> <li>• 40-card tray</li> <li>• Output slide</li> </ul> <p><b>Duplex end</b> (Cards eject through duplex-end at the angle set via LCD)</p>	<p><b>Duplex end</b> with ATM-style bezel (Holds card and retracts if not removed)</p> <p><b>N/A</b></p>
<b>Card reject locations</b>	<p><b>Duplex end</b> (up to 30-card capacity)</p> <p><b>Hopper end</b></p> <ul style="list-style-type: none"> <li>• 40-card tray</li> <li>• Output slide</li> </ul>	<p><b>Duplex end</b> (Cards eject through duplex-end at the angle set via LCD)</p> <p><b>Hopper end</b></p> <ul style="list-style-type: none"> <li>• 40-card tray</li> <li>• Output slide</li> </ul>	<p><b>Hopper end</b></p> <ul style="list-style-type: none"> <li>• 40-card tray</li> <li>• Output slide</li> </ul> <p><b>N/A</b></p>
<b>Ribbon image capacity (most popular items)</b>	1500 monochrome images 250/500 color images	1500 monochrome images 250/500 color images	1500 monochrome images 250/500 color images



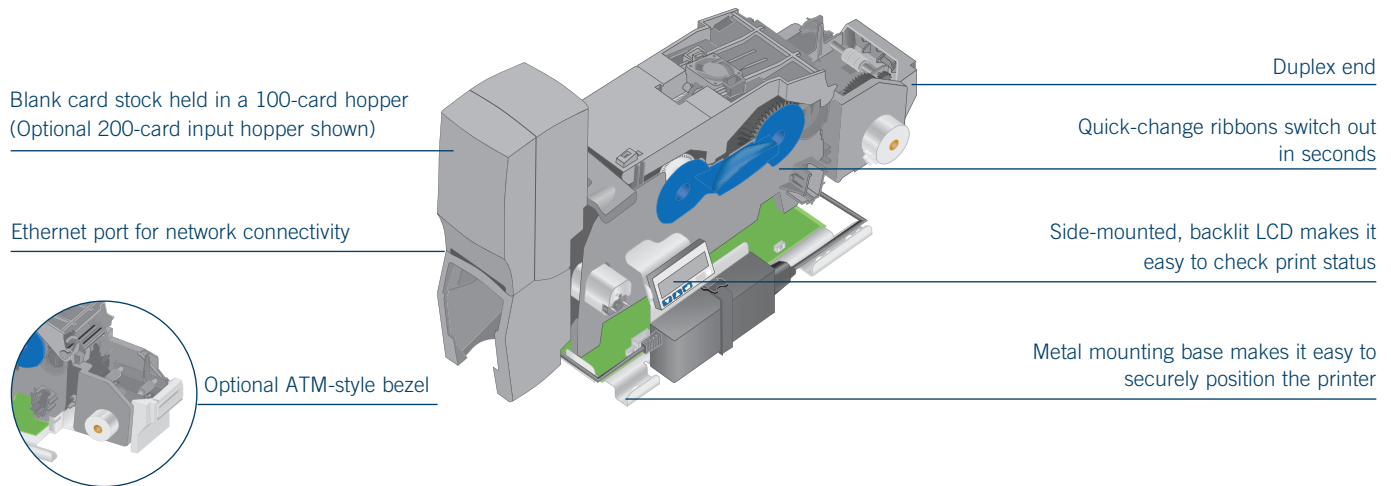
### KIOSK INTEGRATOR'S KIT

To help you select the right configuration for your application, Datacard Group offers a detailed Kiosk Integrator's Kit. This kit provides detailed specifications for clearance areas, mounting dimensions and other design considerations. It also features three-dimensional solid models of each configuration, so you can determine which one will integrate best with your design. To request an Integrator's Kit, please contact your Datacard Group sales representative or visit [www.datacard.com](http://www.datacard.com) to locate a sales office near you.

### HIGH-QUALITY QUICK-CHANGE SUPPLIES

The SP55k kiosk card printer utilizes Datacard® Certified Supplies featuring Intelligent Supplies Technology™. These system-matched supplies incorporate patented RFID technology to maximize ribbon conservation and improve yields. The printer recognizes these supplies when they are loaded, and automatically adjusts settings accordingly to optimize print quality. With these supplies, the SP55k kiosk card printer can monitor supply usage and notify operators when the ribbon is running low. Ultimately, these features help reduce cost-per-card and minimize operator intervention.

# DATACARD® SP55K KIOSK CARD PRINTER



The Datacard® SP55k kiosk card printer gives kiosk integrators a reliable, easy-to-maintain option for a wide variety of kiosk applications.

## Standard Features

Edge-to-edge printing  
Continuous-tone for full-color or black-and-white photos  
Alphanumeric text, logos and digitized signatures  
Variety of bar codes and background patterns  
Automatic printer settings and offsets, automatic ribbon identification, validation and low ribbon warning  
Full-color print speed of approximately 22-23 seconds per card (one-sided printing, YMCKT ribbon); approximately 30-32 seconds per card (two-sided printing, YMCKT-K ribbon); or approximately 35-36 seconds per card (two-sided printing, YMCKT-KT ribbon)  
Monochrome print speed (K ribbon) of approximately 6-8 seconds per card (one-sided printing); or approximately 15-17 seconds per card (two-sided printing) (Note: print speeds can vary depending on card design, encoding functions, performance and printer configuration)  
Metal mounting base  
Configurable card output locations  
Configurable duplex-end card output angle (Duplex card issuance configuration)  
100-card input hopper (0.03 in./0.76 mm)  
40-card output hopper (0.03 in./0.76 mm)  
Card reject tray  
Backlit LCD panel  
Printer pooling  
Connectivity:  
    Bi-directional USB and Ethernet 10/100 Base-T bi-directional networking  
Printer driver features user-adjustable image and color controls, stand-alone driver diagnostics, image and test card previewing, online user help and supply usage tab  
Audible and visual message prompts on printer and PC  
Card audit counters  
Automatic card feed  
Hot swappable printer feature (for changing out printer without reinstalling driver)  
Operator-replaceable printhead  
Continuous cleaning roller  
Easy access components, including quick-change ribbon cartridges  
Highly accessible card path  
24-month printer and printhead warranty

## Options

One- or two-sided printing  
ISO magnetic stripe encoding (IAT or NTT; dual high- and low-coercivity; tracks 1, 2 and 3 for IAT; 1 track for NTT; user-selectable tracks for IAT)  
Smart card options include contact and contactless all-in-one reader; contact station; Contacted PC USB-SL smart card reader; Prox by HID; and iCLASS® by HID (read-write and read only)  
Input hopper empty alert (customizable with printer driver SDK)  
200-card input hopper  
Card output slide  
ATM-style card issuing bezel (Duplex configuration)  
Integrator kit with technical documentation and drawings

## Specifications

Dimensions:  
Simplex and duplex card issuance configurations:  
L 20.15 in. x W 8.54 in. x H 9.81 in. to H 12.21 in.  
(51.18 cm x 21.69 cm x 24.92 cm to 31.01 cm)  
Duplex ATM-style card issuance configurations:  
L 21.15 in. x W 8.54 in. x H 9.81 in. to H 12.21 in.  
(53.72 cm x 21.69 cm x 24.92 cm to 31.01 cm)  
Weight: less than 10 lbs. (4.5 kg) without supplies  
Print resolution of 300 dots per inch, 256 shades  
Electrical requirements of 100/240V, 50/60 Hz  
Accepts ISO ID-1/CR-80 size cards measuring 3.370 in. x 2.125 in. (85.6 mm x 53.98 mm); accepts glossy-surfaced PVC cards; other core materials with PVC overlaminates are optional  
Accepts card thickness from 0.010 to 0.050 in. (0.25 mm to 1.27 mm)  
Operates in temperatures from 60° to 95°F (15° to 35°C) and non-condensing humidity from 20% to 80%  
Operating system support for printer driver:  
    Microsoft® Windows 8 (32/64 bit)  
    Windows 7 (32/64 bit)  
    Windows XP (32 bit)  
    Windows Server 2008 (64 bit)  
    Windows Server 2003 (32 bit)  
    Datacard® Open Platform printer driver for non-Windows platforms  
Agency approvals: UL, cUL, CE, Ctick, FCC, RoHS

## Datacard® Certified Supplies featuring Intelligent Supplies Technology™

Datacard Group sales channels are your exclusive source for Datacard® Certified Supplies. Datacard® SP55k kiosk card printers require the use of Datacard Certified Supplies in order to print properly.

**Datacard** Group

## CORPORATE HEADQUARTERS

11111 Bren Road West  
Minnetonka, Minnesota 55343-9015  
Phone: +1 952 933 1223  
www.datacard.com  
info@datacard.com